

19" Wide 1440 x 900 AFOLUX Panel PC

AFL-W19A/B-N270

Intel® Atom™ N270 1.6GHz Processor

AFL-W19A/B-GM45

Intel® Core™2 Duo 1.6GHz 2.53GHz Processor(max.)



Mirror Black Glossy Finish



Slim-type Optical Disk Drive



Membrane Keypad for System Function Control



Ambient Light Sensor (Only for AFL-W19A Series)



300K Pixel Camera (with Low Light Function) and Digital Microphone



HDMI High-Definition Multimedia Interface (For GM45 Systems Only)



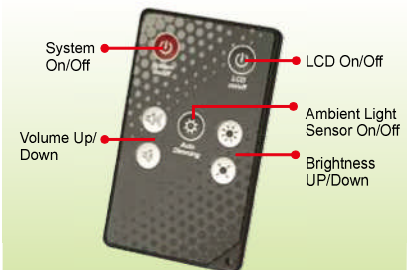
Two USB Ports on the Side of AFL-W19B-GM45



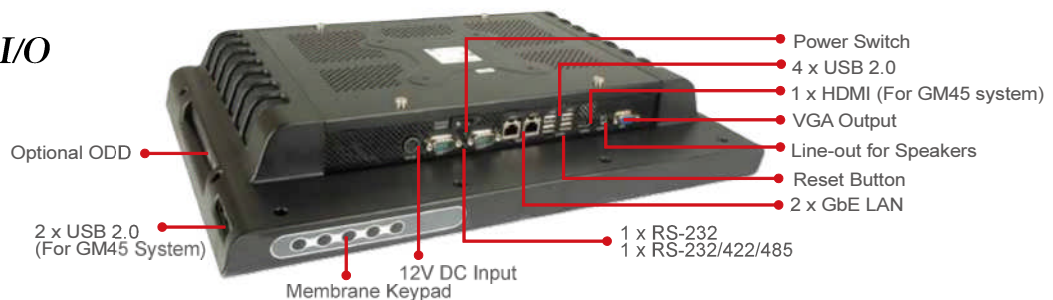
Features

- 19" wide screen all-in-one system with resistive touch panel
- High performance panel PC integrated with Intel® GM45 chipset and 45nm mobile Core™2 Duo processor
- High quality wide screen panel featuring 16:10 aspect ratio, high contrast and fast response time
- Fanless system integrated with Intel® Atom™ N270 1.6G processor for ultra low voltage
- CD/DVD-ROM drive bay (for B type model)
- IEEE 802.11b/g/n Wi-Fi connection
- New HDMI High-Definition multimedia interface (for Intel® GM45 system)
- Built-in two speakers
- Built-in capitalize technology
- Ambient light sensor detects ambient light for automated screen adjustments
- VESA-mountable for flexibility in mounting and deployment
- iSMM system utility included for system settings
- Support Windows® CE, Windows® XP Embedded and Linux (optional)
- IP 64 compliant front panel
- IEI One Key Recovery solution allows you to create rapid OS backup and recovery (suggest over 4GB storage capacity)

Infrared Remote Control (For AFL-W19A Series Only)



Fully Integrated I/O



1

IEI Mobile Solutions

2

Automation Panel Solutions

3

RISC-based Solutions

4

PACSmate Medical Solutions

5

Optional Peripherals

Specifications



Model	AFL-W19A-N270	AFL-W19A-GM45	AFL-W19B-N270	AFL-W19B-GM45
LCD Size	19"			
Max Resolution	1440 x 900			
Brightness (cd/m ²)	300			
Contrast Ratio	1000:1			
LCD Color	16.2M			
Pixel Pitch (mm)	0.285 (H) x 0.285 (V)			
Viewing Angle (H-V)	170° / 160°			
Backlight MTBF	50000 hrs			
SBC Model	AFLMB2-945GSE-N270-R10	AFLMB2-GM45-R10	AFLMB2-945GSE-N270-R10	AFLMB2-GM45-R10
CPU	Intel® Atom™ N270 1.6GHz CPU	Intel® Core™2 Duo T7500 2.2GHz CPU (max.)	Intel® Atom™ N270 1.6GHz CPU	Intel® Core™2 Duo T7500 2.2GHz CPU (max.)
Chipset	Intel® 945GSE + ICH7M	Intel® GM45 Chipset + ICH9M	Intel® 945GSE + ICH7M	Intel® GM45 Chipset + ICH9M
RAM	Supports one 400MHz or 533MHz DDR2 SO-DIMM (2GB Max.)	Supports two 667MHz or 800MHz DDR2 SO-DIMM (4GB max.)	Supports one 400MHz or 533MHz DDR2 SO-DIMM (2GB Max.)	Supports two 667MHz or 800MHz DDR2 SO-DIMM (4GB max.)
I/O Ports	1 x RS-232 COM Port 1 x RS-232/422/485 COM port 2 x RJ-45 for Giga LAN 4 x USB 2.0 1 x Power Switch 1 x Reset Button 1 x Audio Port 1 x VGA Port 1 x Power Jack	1 x RS-232 COM Port 1 x RS-232/422/485 COM Port 2 x RJ-45 for Giga LAN 4 x USB 2.0 1 x Power Switch 1 x Reset Button 1 x HDMI Port 1 x Audio Port 1 x VGA Port 1 x Power Jack	1 x RS-232 COM Port 1 x RS-232/422/485 COM Port 2 x RJ-45 for Giga LAN 4 x USB 2.0 1 x Power Switch 1 x Reset Button 1 x Audio Port 1 x VGA Port 1 x Power Jack	1 x RS-232 COM Port 1 x RS-232/422/485 COM Port 2 x RJ-45 for Giga LAN 6 x USB 2.0 (two on the side) 1 x Power Switch 1 x Reset Button 1 x HDMI Port 1 x Audio Port 1 x VGA Port 1 x Power Jack
SSD	CF Type II			
Watchdog Timer	Software programmable supports 1~255 sec. system reset			
Audio	AMP 1.5W + 1.5W (internal speakers)		AMP 3W + AMP 3W (internal speakers)	
Camera Module	300K pixel camera (with low light function) and digital microphone			
Wireless Connection	1 x Wireless LAN 802.11 b/g/n module (internal PCIe Mini card interface)			
Drive Bay	1 x 2.5" SATA HDD bay		1 x 2.5" SATA HDD bay, 1 x Slim type ODD bay	
Construction Front Panel	ABS + PC Plastic front frame			
Membrane Keypad	LCD On/Off, Brightness Down/Up, Volume Down/Up, Lock, Ambient Light Sensor On/Off (7 keys)		LCD On/Off, Brightness Down/Up, Volume Down/Up (5 keys)	
Ambient Light Sensor	Yes		-	
Infrared Remote Control	LCD On/Off, Brightness Up/Down, Volume Up/Down, System On/Off, Ambient Light Sensor On/Off		-	
Mounting	Panel, Wall, Stand and Arm VESA 100mm x 100mm			
Front Panel Color	Black C			
Dimensions (WxHxD) (mm)	475 x 259 x 65		475 x 259 x 84	
Operation Temperature (°C)	0°C ~40°C with HDD -10°C ~50°C with CF Card or SATA interface 2.5" SSD HDD			
Storage Temperature (°C)	-20°C ~60°C			
N/G Weight	5.8 Kg		6.2 Kg	
IP Level	Front Frame IP64			
Safety & EMC	CE / FCC / CB / CCC			
Touch Screen	5-wire resistive type (touch controller IC is on board)			
Power Adapter	P/N: 63000-FSP084DMBA1308-RS 84W Power Adapter Input: 90VAC~264VAC, 50/60Hz Output: 12VDC	P/N: 63000-FSP150AHAN1808-RS 150W Power Adapter Input: 90VAC~264VAC, 50/60Hz Output: 12VDC	P/N: 63000-FSP084DMBA1308-RS 84W Power Adapter Input: 90VAC~264VAC, 50/60Hz Output: 12VDC	P/N: 63000-FSP150AHAN1808-RS 150W Power Adapter Input: 90VAC~264VAC, 50/60Hz Output: 12VDC
Power Requirement	12VDC			
Power Consumption	55W	88W	61W	95W

CD-RW/DVD-RW Drive Spec.



The drive is able to write CD-R/RW disks and DVD-R/RW disks

Drive Type	Internal Slim CD-RW/DVD Combo Drive	
Data Transfer Rate	Write: CD-R: 24X CD-RW: 24X	Read: DVD-ROM: 8X CD-ROM: 24X
Interface	SATA	
Buffer Memory	2MB	

Note: Wi-Fi 802.11 draft N is upgradable.
Note: Optional 1.3MP camera with digital microphone module

1

IEI Mobile Solutions

2

Automation Panel Solutions

3

RISC-based Solutions

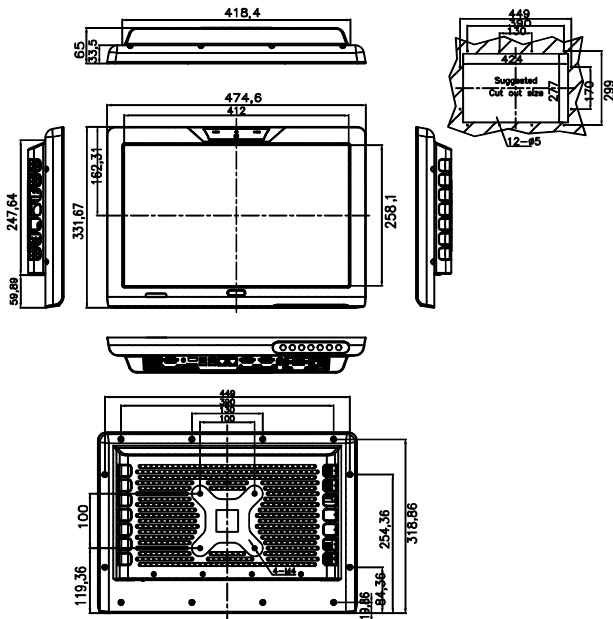
4

PACSmate Medical Solutions

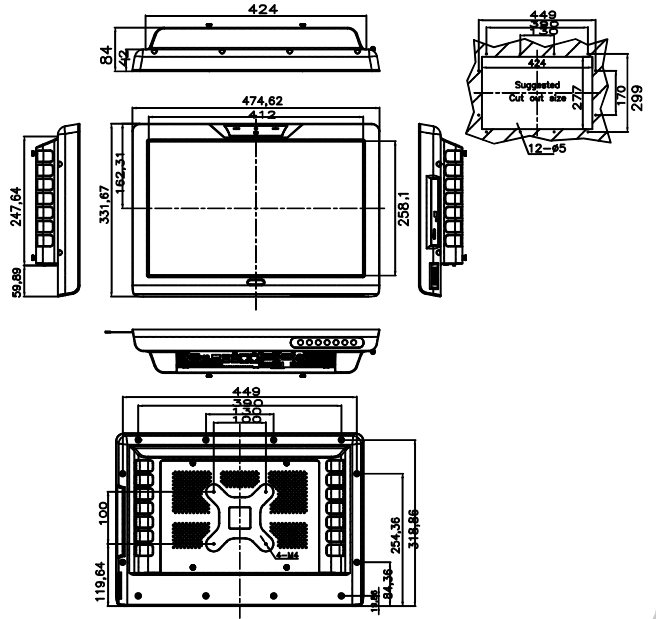
5

Optional Peripherals

AFL-W19A Dimensions (Unit: mm)



AFL-W19B Dimensions (Unit: mm)



Ordering Information

	Part Number	Description
W/O ODD	AFL-W19A-N270/R/1G-R22	19" 300cd/m ² 1440x900 panel PC with Intel® Atom™ N270 1.6GHz CPU, 1GB DDR2 RAM, 802.11 b/g/n wireless module, touch screen, 300K camera, microphone, R22
	AFL-W19A-GM45-CM5/R/1G-R22	19" 300cd/m ² 1440x900 panel PC with Celeron® M 2.0GHz CPU, 1GB DDR2 RAM, 802.11 b/g/n WiFi, touch screen, 300K camera, microphone, R22
	AFL-W19A-GM45-P84/R/2G-R22	19" 300cd/m ² 1440x900 panel PC with Core™2 Duo P:8400 2.26GHz CPU, 2GB DDR2 RAM, 802.11 b/g/n WiFi, touch screen, 300K camera, microphone, R22
	AFL-W19A-GM45-T94/R/2G-R22	19" 300cd/m ² 1440x900 panel PC with Core™2 Duo T9400 2.53GHz CPU, 2GB DDR2 RAM, 802.11 b/g/n WiFi, touch screen, 300K camera, microphone, R22
W/ ODD	AFL-W19B-N270/RD/1G-R22	19" 300cd/m ² 1440x900 panel PC with Intel® Atom™ N270 1.6GHz CPU, 1GB DDR2 RAM, 802.11 b/g/n WiFi, touch screen, 300K camera, microphone, DVD-RW, R22
	AFL-W19B-GM45-CM5/RD/1G-R22	19" 300cd/m ² 1440x900 panel PC with Celeron® M 2.0GHz CPU, 1GB DDR2 RAM, 802.11 b/g/n WiFi, touch screen, 300K camera, microphone, DVD-RW, R22
	AFL-W19B-GM45-P84/RD/2G-R22	19" 300cd/m ² 1440x900 panel PC with Core™2 Duo P8400 2.26GHz CPU, 2GB DDR2 RAM, 802.11 b/g/n WiFi, touch screen, 300K camera, microphone, DVD-RW, R22
	AFL-W19B-GM45-T94/RD/2G-R22	19" 300cd/m ² 1440x900 panel PC with Core™2 Duo T9400 2.53GHz CPU, 2GB DDR2 RAM, 802.11 b/g/n WiFi, touch screen, 300K camera, microphone, DVD-RW, R22

1

IEI Mobile Solutions

2

Automation Panel Solutions

3

RISC-based Solutions

4

PACSmate Medical Solutions

5

Optional Peripherals

Options

Model	AFL-W19A-N270	AFL-W19A-GM45	AFL-W19B-N270	AFL-W19B-GM45
Panel Mounting Kit	AFLPK-W19B			
Wall Mounting Kit	AFLWK-19			
Rack Mounting Kit	-			
Arm	ARM-11-RS / ARM-31-RS			
Stand	STAND-A19 / STAND-B19 / STAND-210-R11			
OS: Win CE 6.0 (128 MB CF card)	AFLCF-W19-N270-CE060-R21	--	AFLCF-W19-N270-CE060-R21	--
OS: Win XPE(1 GB CF card)	AFLCF-W19-N270-XPE-R21	AFLCF-W19-GM45-XPE-R10	AFLCF-W19-N270-XPE-R21	AFLCF-W19-GM45-XPE-R10
OS: LINUX(2 GB CF card)	AFLCF-W19-N270-LNX-R21	AFLCF-W19-GM45-LNX-R10	AFLCF-W19-N270-LNX-R21	AFLCF-W19-GM45-LNX-R10
OS: Win 7 Embedded (2GB CF card)	AFLCF-W19-N270-WES7E-R21	AFLCF-W19-GM45-WES7E-R10	AFLCF-W19-N270-WES7E-R21	AFLCF-W19-GM45-WES7E-R10
DC 12V Input UPS	AUPS-B10-R10 (VESA 100, DC 12V input, 12V output 100W UPS module with 3800mAh)			
DC 9~36V Input UPS	AUPS-B20-R10 (VESA 100, DC 9~36V input, 12V output 100W UPS module with 3800mAh)			
Bluetooth V2.0+EDR	AFL-BT-KIT04-R10	AFL-BT-KIT02-R10	AFL-BT-KIT04-R1	AFL-BT-KIT03-R10

Note: Win CE application without digital microphone function

Packing List

Item	Part Number	Q'ty	Specification
Screw Pack	44013-030041-RS	4	M3:5mm
Power Adpater	63000-FSP084DMBA1308-RS 63000-FSP150AHAN1808-RS	1	90~264V AC; 12V DC; 84W (W19A/B-N270) 90~264V AC; 12V DC; 150W (W19A/B-GM45)
Power Cord	32000-000002-RS	1	1750mm; (EU or US, depending on the shipment country)
Utility CD	7B000-000087-RS	1	
Touch Pen	43125-0002C0-00-RS	1	
One Key Recovery CD		1	

ISMM Supported Functions

	Voltage	Fan	Smart Fan	Temperature	WDT	Cash Drawer
AFL-W19A(B)-N270	V			V	V	
AFL-W19A(B)-GM45	V	V	V	V	V	