

DM Series

6.5"~19" IP 65 Industrial Monitors, Robust, Shock Resistance and OSD Function



Features

1. Aluminum front panel meets IP65 standard for tough working environment
2. Combination of USB & RS-232 Touch Interfaces
3. Robust chassis and retention kit structure for shocking and vibration requirement
4. Over 300cd/m² high brightness and 50000hrs MTFB long lifetime panel
5. Analog VGA and DVI-D interface supports most of general system boards
6. M models support 9~36V DC power input for mobile application



Specifications

Model	DM-65GHS	DM-84GHS	DM-104GHS	DM-121GXS	DM-150GS	DM-170GS	DM-190GS
LCD Size	6.5"	8.4"	10.4"	12.1"	15"	17"	19"
Input Interface	Analog VGA	Analog VGA	Analog VGA	Analog VGA + DVI-D	Analog VGA + DVI-D	Analog VGA + DVI-D	Analog VGA + DVI-D
Max Resolution	640 x 480	800 x 600	800 x 600	1024 x 768	1024 x 768	1280 x 1024	1280 x 1024
Brightness (cd/m ²)	800 Sunlight Readable	450	400	500	350	300	450
Contrast Ratio	600 : 1	600 : 1	700 : 1	700 : 1	500 : 1	800 : 1	1000 : 1
Display Color	262K	262K	262K	262K	16.2M	16.7M	16.7M
Pixel Pitch (mm)	0.207	0.213	0.264	0.3075	0.297	0.264	0.294
Viewing Angle (H/V)	160° / 140°	160° / 140°	160° / 140°	160° / 160°	120° / 100°	160° / 160°	170° / 160°
Touch Screen	Resistive type 4-wire / RS-232 & USB interface (touch controller IC is on board)		Resistive type 5-wire / RS-232 & USB interface (touch controller IC is on board)				
Front Frame	Aluminum						
Chassis	Heavy-duty						
Input Voltage	12VDC	12VDC or 9-36VDC					
OSD Function	OSD Keypad						
Smart OSD	Yes						
Mounting	Wall/Arm/Din Panel/Rack	Wall / Panel / Rack / Arm / Stand / VESA 100mm x 100mm					
Color	Silver						
Dimensions (W x H x D mm)	183 x 143 x 41	244 x 178 x 49	312 x 242 x 53	340 x 260 x 58	410 x 309 x 64.4	452 x 356 x 65.2	482 x 399 x 73
Operating Temperature	-10°C~50°C				0°C~50°C		
Front Panel Protection	IP65						
Net Weight	1 kg	1.8 kgs	3 kgs	3.8 kgs	6 kgs	8.6 kgs	10 kgs
Power Adapter	36W, 63000-FSP036RAB610-RS				50W, 63000-FSP050DBAB1411-RS		

Mounting Kits

	DM-65GS	DM-84GS	DM-104GS	DM-121GS	DM-150GS	DM-170GS	DM-190GS
Panel Mount Kit	PK-65M	PK-84M	PK-104M	PK-170M		PK-190M	
Wall Mount Kit	WK-065MS-R10	WK-190MS-R10					
Rack Mount Kit	RK-065MS-R10	RK-084MS-R10	RK-104MS-R10	RK-121MS-R10	RK-150MS-R10	RK-170MS-R10	RK-190MS-R10
Din Mount Kit	DK-84MS		N/A				
LCD Monitor Arm	ARM-11				ARM-31		
LCD Monitor Stand	STAND-100-RS				STAND-210-R11		

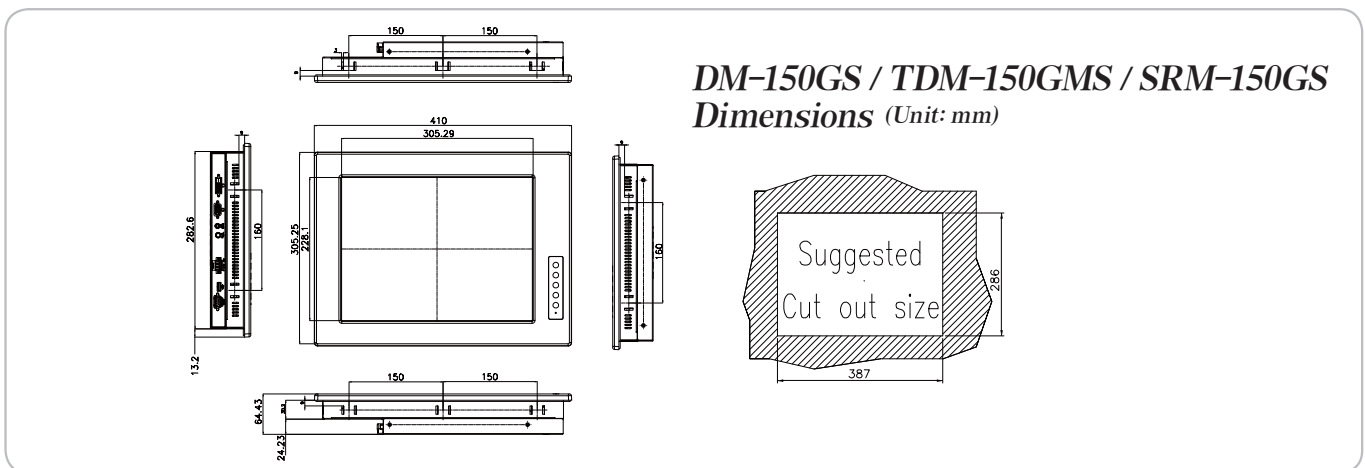
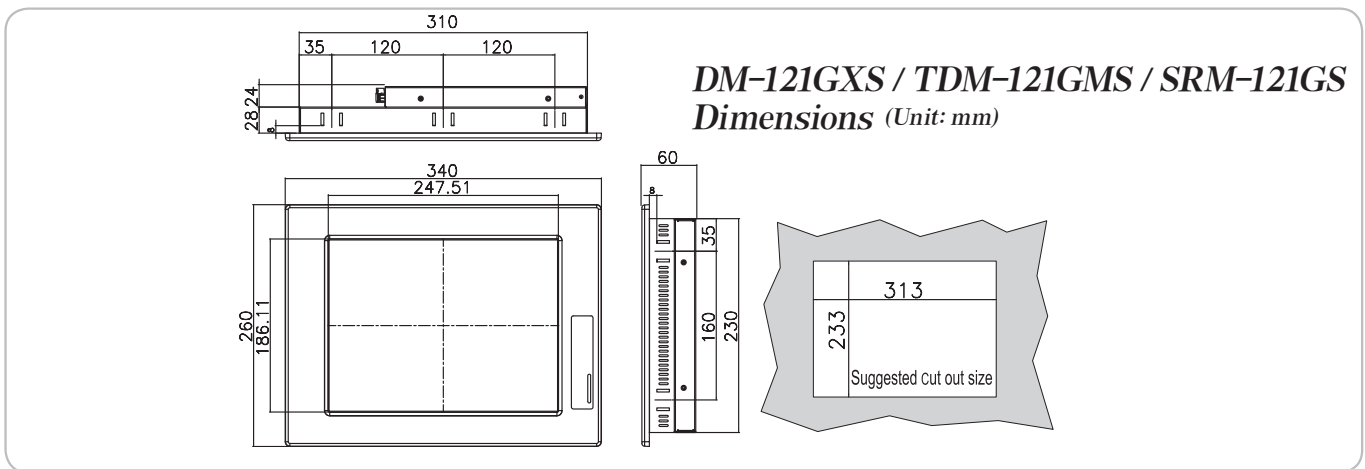
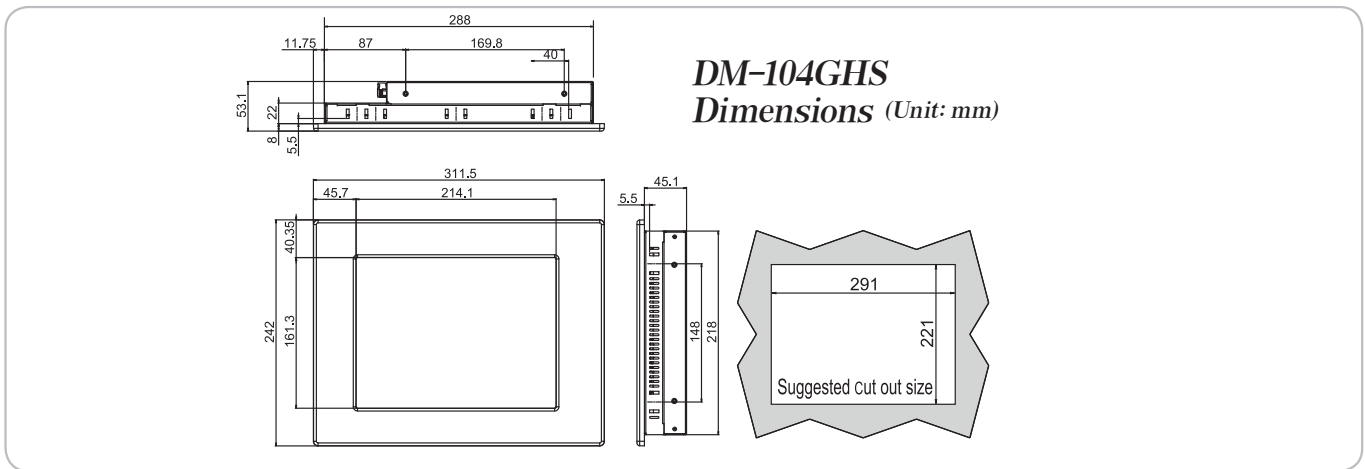
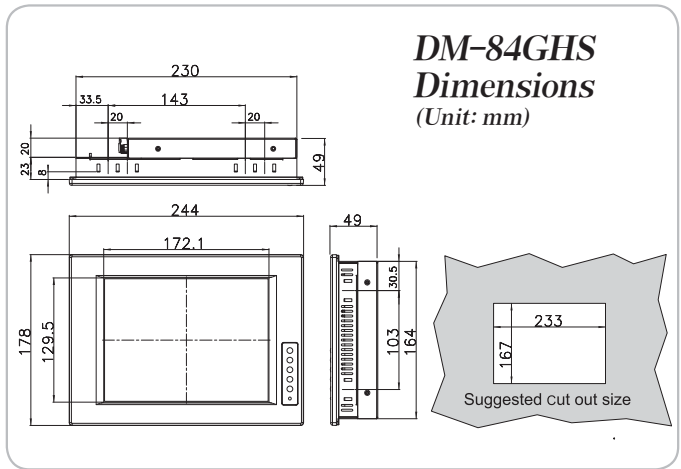
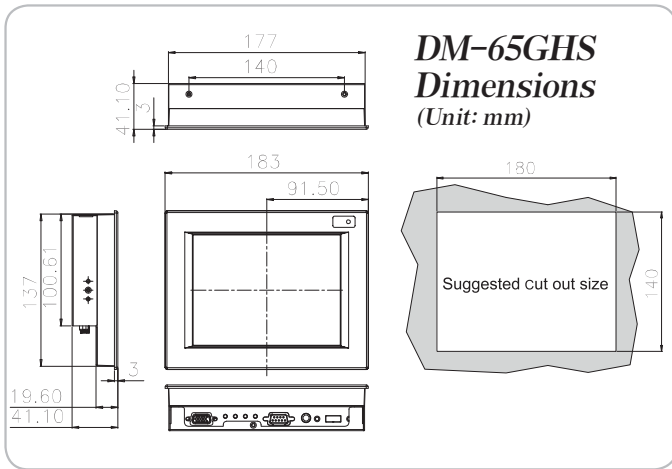
Packing List

Description	Part Number	Remark
1 x AC power cable	32000-089900-RS	Length:1800mm (EU or US, Which type of cord is shipped depends on the contry)
1 x VGA cable	32000-036200-RS	Length:1800mm
1 x 50W AC power adapter	63000-FSP050DBAB1411-RS	For DM-150GS-R20 / 170GS-R20 / 190GS-R20 series Operating Temperature : 0°C~ +40°C
1 x 36W AC power adapter	63000-FSP036RAB610-RS	For DM-65GHS-R20 / 84GHS-R20 / 104GHS-R20 / 121GXS-R20 series Operating Temperature : 0°C~ +40°C
1 x User manual		
1 x Power cable for terminal block	32100-041001-RS	For M model only
1 x Touch screen RS-232 Cable / USB Cable / Driver CDROM	RS-232 Cable:32005-001100-100-RS USB Cable:32001-006100-100-RS	Length:1800mm Length:1500mm
1 x Touch Pen	43125-0002C0-RS	

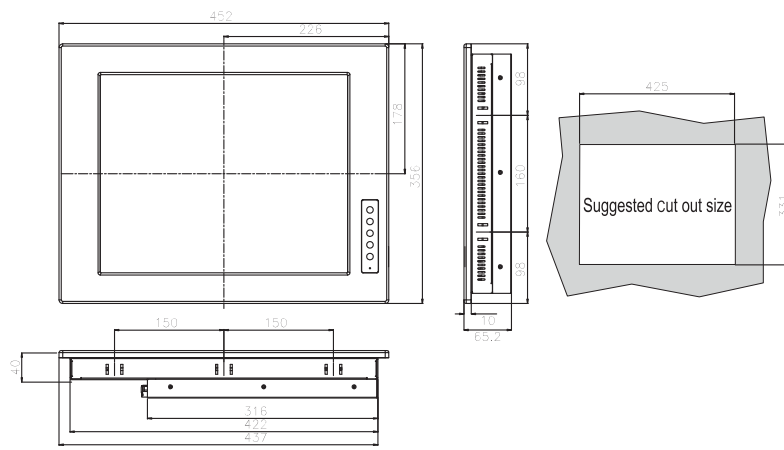
Ordering Information

Part No.		Description
6.5"	DM-65GHS/R-R20	6.5" 800cd/m ² High luminance VGA LCD monitor with VGA, Aluminum front panel, Silver color, W/RS-232 and USB Touch screen, R20, RoHS
8.4"	DM-84GHS/R-R20	8.4" 450cd/m ² High luminance SVGA LCD monitor, Aluminum front panel, Silver color,W/RS-232 Touch screen, R20, RoHS
	DM-84GHMS/R-R20	8.4" 450cd/m ² High luminance SVGA LCD monitor, Aluminum front panel, Silver color,W/RS-232 Touch screen, 9~36V DC input, R20, RoHS
	DM-84GHS-USB/R-R20	8.4" 450cd/m ² High luminance SVGA LCD monitor, Aluminum front panel, Silver color,W/USB Touch screen, R20, RoHS
	DM-84GHMS-USB/R-R20	8.4" 450cd/m ² High luminance SVGA LCD monitor, Aluminum front panel, Silver color,W/USB Touch screen, 9~36V DC input, R20, RoHS
10.4"	DM-104GHS/R-R20	10.4" 400cd/m ² High luminance SVGA LCD monitor, Aluminum front panel, Silver color, W/RS-232 and USB Touch screen, R20, RoHS
	DM-104GHMS/R-R20	10.4" 400cd/m ² High luminance SVGA LCD monitor, Aluminum front panel, Silver color, W/RS-232 and USB Touch screen, 9~36V DC input, R20, RoHS
12.1"	DM-121GXS/R-R20	12.1" 500cd/m ² XGA LCD monitor, Aluminum front panel, Silver color,W/RS-232 and USB Touch screen, R20, RoHS
	DM-121GXMS/R-R20	12.1" 500cd/m ² XGA LCD monitor, Aluminum front panel, Silver color,W/RS-232 and USB Touch screen, 9~36V DC input, R20, RoHS
15"	DM-150GS/R-R20	15" 350cd/m ² XGA LCD monitor, Aluminum front panel, Silver color, W/RS-232 and USB Touch screen, R20, RoHS
	DM-150GMS/R-R20	15" 350cd/m ² XGA LCD monitor, Aluminum front panel, Silver color, W/RS-232 and USB Touch screen, 9~36V DC input, R20, RoHS
17"	DM-170GS/R-R20	17" 300cd/m ² SXGA LCD monitor, Aluminum front panel, Silver color, W/RS-232 and USB Touch screen, R20, RoHS
	DM-170GMS/R-R20	17" 300cd/m ² SXGA LCD monitor, Aluminum front panel, Silver color,W/RS-232 and USB Touch screen, 9~36V DC input, R20, RoHS
19"	DM-190GS/R-R21	19" 450cd/m ² SXGA LCD monitor, Aluminum front panel, Silver color, W/RS-232 and USB Touch screen, R21, RoHS
	DM-190GMS/R-R21	19" 450cd/m ² SXGA LCD monitor, Aluminum front panel, Silver color, W/RS-232 and USB Touch screen,9~36V DC input, R21, RoHS

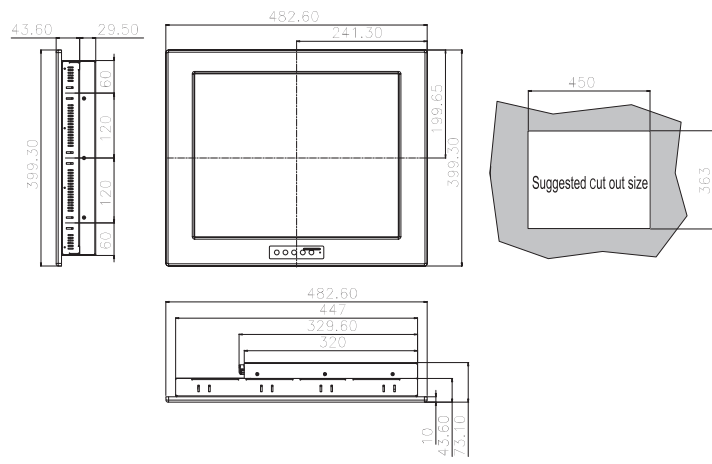
Note: The smartOSD function is only supported by revision 11 models and above



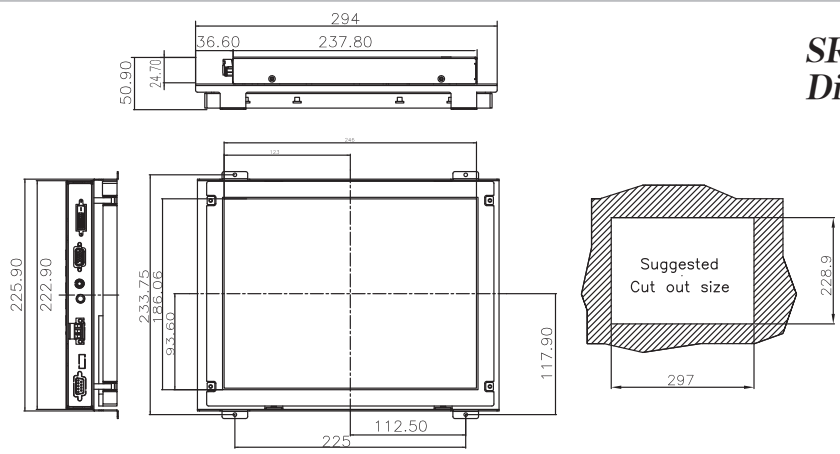
- 1
- 2 Automation Panel Solutions
- 3 Video Wall Controller/ Splitter
- 4 RISC-based Solutions
- 5 PACSmate Medical Solutions
- 6 Optional Peripherals



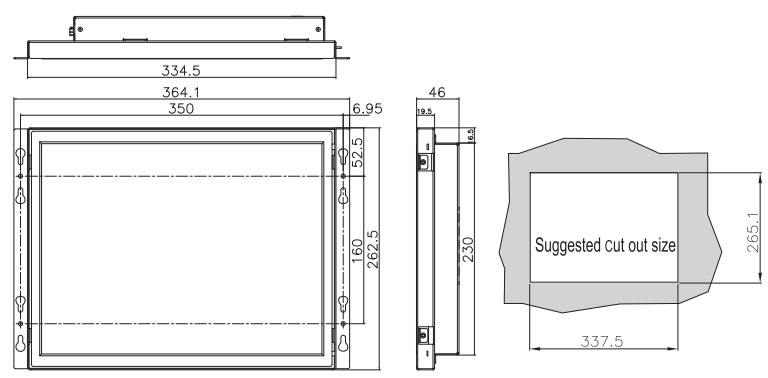
DM-170G
Dimensions (Unit: mm)



DM-190G
Dimensions (Unit: mm)



SRM-KIT121G
Dimensions (Unit: mm)



SRM-KIT150G
Dimensions (Unit: mm)

1

2

Automation Panel Solutions

3

Video Wall Controller/ Splitter

4

RISC-based Solutions

5

PACSmate Medical Solutions

6

Optional Peripherals