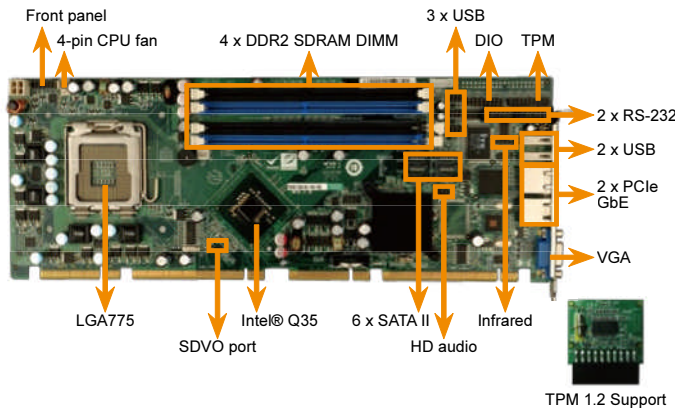


PCIE-Q350-R11

Full-size PICMG 1.3 CPU card supports 45 nm LGA 775 Intel® Core™2 Duo and Core™2 Quad processors with an 800 MHz, 1066 MHz or 1333 MHz FSB including Intel® Q35 GMCH, ICH9DO I/O controller hub, dual Intel® GbE, SATA II with RAID and USB 2.0



Features

1. PICMG1.3 and RoHS compliant
2. Intel® Q35 & ICH9-DO Platform
3. Supports 45nm LGA775 Intel® Core™2 Duo and Core™2 Quad processors
4. Six SATAII Ports with Intel® Matrix storage technology supported
5. Dual Intel® PCIe GbE
6. TPM1.2 IT security solution supported
7. IEI One Key Recovery solution allows you to create rapid OS backup and recovery

Specifications

- ◆ CPU: LGA 775 Intel® Core™2 Duo, Core™2 Duo, Celeron® processors with a, 800 MHz, 1066MHz, and 1333MHz FSB
- ◆ System Chipset: Intel® Q35 & ICH9-DO
- ◆ BIOS: AMI BIOS
- ◆ System Memory: Four 240-pin 2 GB (max.) 800 MHz, 667 MHz dual-channel DDR2 SDRAM DIMM supported (system max. 8GB)
- ◆ Ethernet: Dual GbE LAN1: Intel® 82566DM GbE controller with iAMT support LAN2: Intel® 82573L GbE controller
- ◆ IO Interface: 2 x RS-232 6 x SATA II (RAID 0, 1, 5, 10) 1 x Keyboard and mouse connector 12 x USB 2.0 (2 on bracket, six on SBC, four on backplane by pin header)
- ◆ Super IO: ITE 8718F
- ◆ Digital I/O: 16-bit Digital I/O, 8-bit input / 8-bit output
- ◆ Infrared interface: 1 x Infrared by pin header
- ◆ Audio: 10-pin on-board header connects to the IEI AC-KIT-888HD 7.1 channel HD audio kit
- ◆ Graphics: Analog VGA output
- ◆ TPM1.2: 1 x 20-pin on-board header for TPM (Trusted Platform Module)
- ◆ Watchdog Timer: Software programmable supports 1~255sec. system reset
- ◆ Power Supply: ATX
- ◆ Power Consumption: 3.3V@3.0A, 5V@5.1A, 5Vsb@0.28A, 12@4.23A (Intel® Core™ 2 Duo E6700 2.66 GHz at FSB 1066, 8 GB DDR2 667 MHz, 3DMark 2001)
- ◆ Temperature: Operation: 0°C ~ 60°C (32°F ~ 140°F)
- ◆ Humidity: Operation: 5% ~ 95% non-condensing
- ◆ Dimensions: 338 mm x 126 mm
- ◆ Weight: GW:1.1 kg

Packing List

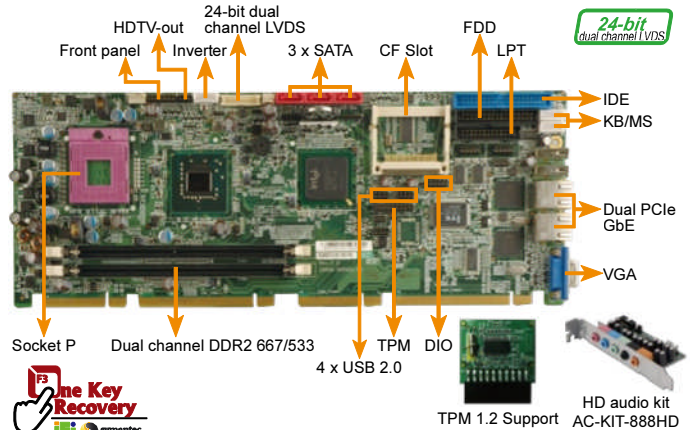
1 x PCIE-Q350 single board computer	
3 x SATA power cable (P/N: 32102-000100-200-RS)	
6 x SATA cable (P/N: 32000-062800-RS)	1 x Mini jumper pack
1 x Dual RS-232 cable (P/N:19800-000051-RS)	1 x USB cable (P/N: CB-USB02-RS)
1 x Utility CD	1 x QIG

Ordering Information

Part No.	Description
PCIE-Q350-R11	PICMG1.3 CPU card supports Intel® 45nm LGA 775 Core™2 Duo/Quad CPU at FSB800/1066/1333 MHz, Intel® Q35 & ICH9DO platform, Dual Intel® GbE, SATA II with RAID, USB
AC-KIT-888HD-R10	7.1 channel HD audio kit with Realtek ALC888 supports dual audio streams
CF-520-RS-R11	High performance CPU cooler (115mm x 115mm x 67mm, 115W)
CF-775A-RS	High performance CPU cooler (92 mm x 92 mm x 73 mm,130W)
TPM-IN01-R11	20-Pin Infineon TPM module, software management tool, firmware V3.17
SDVO-100VGA-R10	PCIe x16 VGA output SDVO card supports dual display (IEI CPU board only)
SDVO-100DVI-R10	PCIe x16 DVI output SDVO card supports dual display (IEI CPU board only)
19800-000075-RS	KB/MS cable with bracket

PCIE-9652

Full-size PICMG 1.3 CPU card supports mobile 65 nm Intel® Core™2 Duo processors with an 800 MHz FSB including Intel® GME965 GMCH, ICH8M-E I/O controller hub, dual GbE, three SATA II with RAID and ten USB 2.0



Features

1. Supports mobile Merom core 45/65 nm Intel® Core™2 Duo processors with an 800MHz FSB
2. Two 240-pin 2 GB (max.) 667 MHz or 533 MHz dual-channel DDR2 SDRAM DIMM supported (system max. 4GB)
3. Supports analog CRT, 18/24-bit dual-Channel LVDS and HDTV output
4. Dual Intel® PCIe GbE controllers
5. Three 3.0 Gbps SATA II connectors with RAID function support
6. IEI One Key Recovery solution allows you to create rapid OS backup and recovery

Specifications

- ◆ CPU: Socket P Intel® Core™2 Duo, Core™ Duo, Core™ Solo and Celeron® M mobile processors with a 533 MHz or 800 MHz FSB
- ◆ System Chipset: Intel® GME965 & ICH8M-E
- ◆ BIOS: AMI BIOS
- ◆ Memory: Two 240-pin 2 GB (max.) 667MHz or 533MHz dual-channel DDR2 SDRAM DIMM supported (system max. 4GB)
- ◆ Display Output: HDTV (NTSC/PAL and Max. 1080i HDTV Resolution via Component output) 18/24-bit dual-channel LVDS Analog CRT
- ◆ Ethernet: Dual Intel® 82573L PCIe GbE controllers
- ◆ I/O Interfaces: 2 x RS-232 1 x LPT 1 x FDD 1 x IDE 1 x CF type II 1 x TPM 2 x 5-pin wafer on board for KB/MS 3 x SATA II with RAID 0, 1 10 x USB 2.0 (Two on bracket, four on-board and four on backplane)
- ◆ Infrared Interface: 1 x Infrared by pin header
- ◆ Digital I/O: 8-bit digital I/O (4-bit input/4-bit output)
- ◆ Audio: 10-pin on-board header connects to the IEI AC-KIT-888HD 7.1 channel HD audio kit
- ◆ Watchdog Timer: Software Programmable support 1~255 sec. system reset
- ◆ Power Supply: ATX
- ◆ Power Consumption: 3.3 V @ 0.13 A, 5 V @ 5.3 A, 5 Vsb @ 0.04 A, 12 V @ 1.3 A running 3DMark® 2001 with a 2 GHz Intel® Core™2 Duo T7300 processor and 1 GB of 667 MHz DDR2 SDRAM
- ◆ Temperature: 0°C ~ 60°C (32°F ~ 140°F)
- ◆ Humidity: 5% ~ 95% non-condensation
- ◆ Dimensions: 338 mm x 126 mm
- ◆ Weight: GW:1.1 kg

Packing List

1 x PCIE-9652 single board computer	
3 x SATA cable (P/N: 32000-062800-RS)	
1 x SATA power cable (P/N: 32102-000100-200-RS)	
1 x Dual RS-232 cable (P/N: 19800-000051-RS)	
1 x USB cable (P/N: CB-USB02-RS)	1 x Mini jumper pack
1 x Utility CD	1 x QIG

Ordering Information

Part No.	Description
PCIE-9652-R10	PICMG1.3 Full Size with Intel® 65nm Mobile Core™2 Duo Process (Merom) at FSB 800 MHz, Intel® GME965 & ICH8M-E Platform CRT/24-bit LVDS/HDTV output, Dual GbE, 3 SATA II with RAID, 10 USB 2.0
TPM-IN01-R11	20-Pin Infineon TPM module, software management tool, firmware V3.17
CF-479B	CPU cooler
AC-KIT-888HD-R10	7.1 channel HD audio kit with Realtek ALC888 supports dual audio streams
32200-000017-RS	FDD cable
19800-000066-RS	KB/MS cable with bracket
HDTV-CABLESET-01	HDTV cable set with S-Video/Composite/Component Interface



1 Industrial Computing Solutions

2 Video Capture Solutions

3 Embedded Computing Solutions

4 Industrial Data Collector and Controller

5 Panel Solutions Introduction

6 ORing Network Communication

7 Power Supply/ Peripherals