

5.7" VGA AFOLUX PPC

AFL-057A-Z510/Z530

5.7" Power over Ethernet (PoE) All-in-One Panel PC



Features

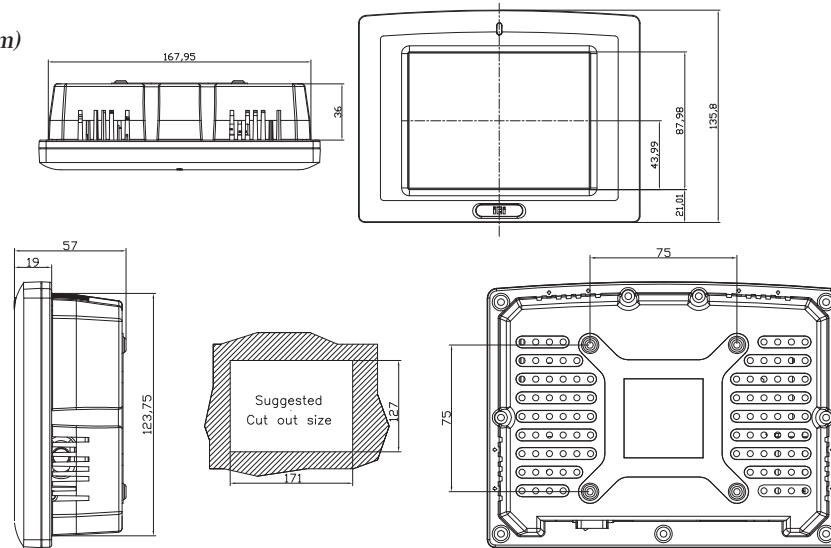
- 5.7" PoE compliant Panel PC with resistive touchscreen
- IEEE802.3af Power Over Ethernet (PoE) compliant
- Intel® Atom™ processor Z510P/Z530P up to 1.6 GHz
- Lower power consumption and fanless operation
- One CompactFlash® slot
- Wide operating temperature capability: -20°C to 60°C (AFL-057A-ZXX)
- IEI One Key Recovery solution for rapid OS backup and recovery (over 4 GB storage capacity recommended)
- IP64 compliant front panel



Specifications

Model	AFL-057A-Z510/Z530
LCD Size	5.7
Max Resolution	640(W) x 480(H)
Brightness (cd/m ²)	400
Contrast Ratio	300:1
LCD Color	262K
Pixel Pitch (mm)	0.06(W) x 0.18(H)
Viewing Angle (H-V)	140° / 100°
Backlight MTBF	50,000 hrs (LED Backlight)
SBC Model	AFLMB-US15W
CPU	Intel® Atom™ Processor Z530P 1.6 GHz Intel® Atom™ Processor Z510P 1.1 GHz
Chipset	Intel® SCH: US15W
RAM	Supports one 533MHz or 400MHz DDR SO-DIMM (2GB Max.)
I/O Ports	1 x RS-232/422/485 COM port 1 x RJ-45 for GbE support IEEE 802.3af, PoE/PD 1 x USB 2.0 1 x Reset button 1 x 5V DC power input
SSD	CF Typell
PoE Function	Require IEEE 802.3af 12.95W power input Power Device PD (Power-input)
Watchdog Timer	Software Programmable supports 1~255 sec. system reset
Audio	AMP 1.5W+1.5W (internal speaker)
Wireless Connection	--
Construction Front Panel	ABS + PC Plastic front frame /Aluminum die casting body
LED Function	1 x LED on Front Panel for Power ON/OFF
Mounting	Panel, Wall, Stand and Arm VESA 75 x 75
Front Panel Color	Gray 7539U
Dimension (WxHxD) (mm)	180 x 135 x 55
Operation Temperature (°C)	-20°C~60°C
Storage Temperature (°C)	-20°C ~ 60°C
N/G Weight	0.8 Kg
IP Level	Front Frame IP64
Safety & EMC	CE / FCC / CB / CCC
Touch Screen	Resistive Type 4-Wire (touch controller IC is on board)
Power Adapter	P/N: 63000-FSP025DGAA1705-RS (Optional) 25W Power Adapter Input: 90VAC~264VAC, 50/60Hz Output: 5VDC
Power Requirement	5V DC-IN Power input or receives PoE Power from RJ45 Connector
Power Consumption	12W

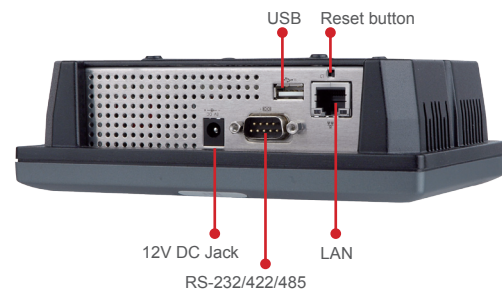
AFL-057A Dimensions (Unit: mm)



Ordering Information

Part Number	Description
AFL-057A-Z530/ R/1G-R11	5.7" 400 cd/m ² VGA fanless panel PC with Intel® Atom™ Z530 1.6 GHz, PoE IEEE 802.3 af, touch screen, 1 GB DDR2 553 MHz, R11
AFL-057A-Z510/ R/1G-R11	5.7" 400 cd/m ² VGA fanless panel PC with Intel® Atom™ Z510 1.1 GHz, PoE IEEE 802.3 af, touch screen, 1GB DDR2 553 MHz, R11

AFL-057A-Z510/Z530



Packing List

Item	Part Number	Q'ty	Specification
Screws Pack	44013-030041-RS	4	M3; 5mm
Utilities CD	7B000-000087-RS	1	
Touch Pen	43125-0002C0-00-RS	1	

Options

	Item	AFL-057A-Zxxx
IQ Mount	Panel Mount Kit	AFLPK-12
	Wall Mount Kit	AFLWK-12
	Rack Mount Kit	AFLRK-057
	ARM	ARM-11-RS / ARM-31-RS
	Stand	STAND-A08 / STAND-C12 / STAND-100-RS
	VSTAND	VSTAND-A07
OS	Win XPE (1GB CF card)	AFLCF-057-US15W-XPE-R10
	Win 7 Embedded (2GB CF card)	AFLCF-057-US15W-WES7E-R10
	Win CE 5.0 (128MB CF card)	N/A
	Win CE 6.0 (128MB CF card)	AFLCF-057-US15W-CE6-R10
	Linux (2GB CF card)	N/A
	Industrial PoE Switch (4 ports P.S.E)	IPS-2042TX
Card Reader	Hybrid Card Reader	AFLP-08AMSI-U
	Magnetic Stripe Reader	AFLP-08AMSR-U
Power Adapter	DC to DC converter module	N/A
	DC 12V Input UPS	N/A
	DC 9~36V Input UPS	N/A
	25W Pwer Adpater for AFL-057A-Zxxx	63000-FSP025DGAA1705-RS



IPS-2042TX Industrial 6-port Lite-Managed PoE Ethernet Switch

- World's fastest Redundant Ethernet Ring : O-Ring (Recovery time < 10 ms over 250 units of connection)
- Multiple Redundant Ethernet technology RSTP/STP, O-Ring supported
- SNMP v1 support for secured network management
- Web-based configuration and Windows utility (Open-Vision)
- Triple redundant DC power inputs of terminal block and power jack
- Event notification through Syslog, Email, and SNMP trap
- Two 100Base-FX fiber port support for long distance connections
- 4 ports support P.S.E based on IEEE 802.3af standard up to 25 watts per port
- Wide operating temperature range from -40°C to 70°C